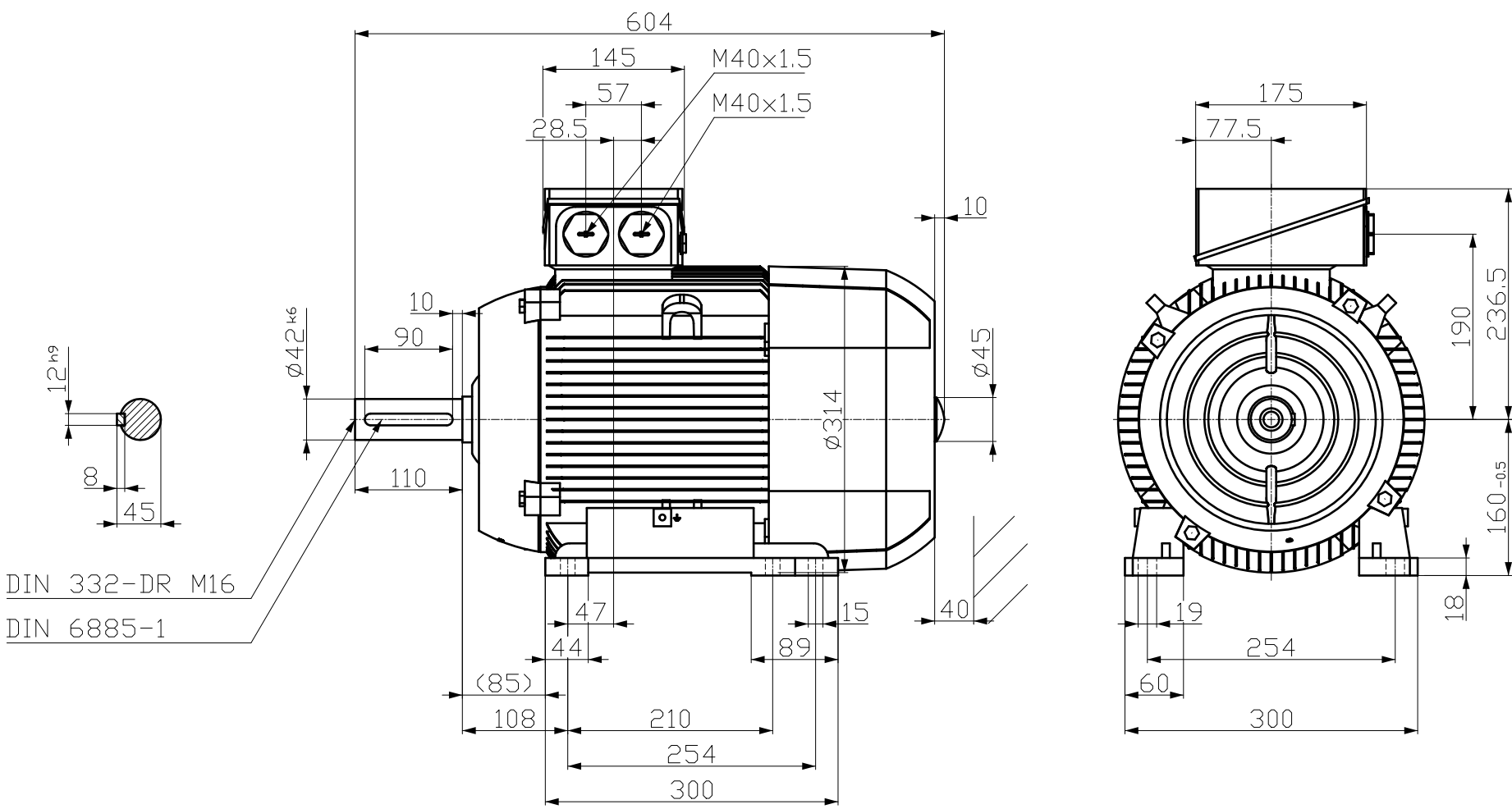


刀线管
 用文金
 积
 01
 02
 03
 04
 05
 06
 07
 08
 09
 10
 11
 12
 13
 14
 15
 16
 17
 18
 19
 20
 21
 22
 23
 24
 25
 26
 27
 28
 29
 30
 31
 32
 33
 34
 35
 36
 37
 38
 39
 40
 41
 42
 43
 44
 45
 46
 47
 48
 49
 50
 51
 52
 53
 54
 55
 56
 57
 58
 59
 60
 61
 62
 63
 64
 65
 66
 67
 68
 69
 70
 71
 72
 73
 74
 75
 76
 77
 78
 79
 80
 81
 82
 83
 84
 85
 86
 87
 88
 89
 90
 91
 92
 93
 94
 95
 96
 97
 98
 99
 100



DIN 332-DR M16
 DIN 6885-1

Tolerance	Surface	Material	Weight	Scale
F50R00F000 H00 I0 Z0000 I0	Author Creator Approval Department Change Order	ÖS T a : ^ & @ } *	È	{ {
	Doc. State Revision	Item No Doc No		Paper Size 1st Language 2nd Language
SIEMENS	Index	RS		OH ^ } â ^
© Siemens AG 2023	Project No	È	Ref No	È
				Doc Type Sheet

V&@ a&@A) aV) * ^) A (i a @ a n) A
 V&@ B a @ a a a a A * a b 8 a @ A & @ * ^ A